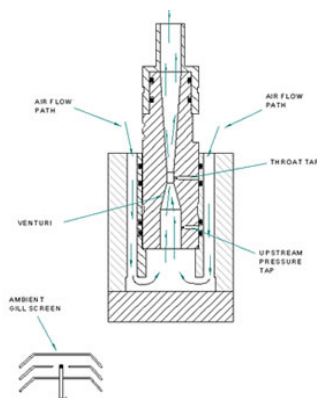
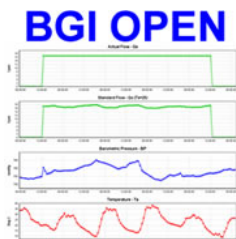


tetraCal® NIST Traceable Volumetric Air Flow Calibrator

tetraCal in Hard case

Sectional View of
Measuring Section

The BGI tetraCal® is a simple-to-use, NIST Traceable Standard for volumetric air flow, barometric pressure, and ambient temperature. The tetraCal® system is designed to tolerate a wide range of adverse field conditions including hot and cold temperatures as well as high relative humidity. The field portable tetraCal® is the perfect solution for calibrating environmental and industrial hygiene air sampling instruments.

To use the tetraCal®, simply connect the tetraCal® and the sampling instrument with tubing and media, inline and turn them both ON. The tetraCal® immediately begins providing the flow rate and ambient condition data on the screen. There are no bubbles, sticking pistons or insurgent pressure spikes to worry about.

The tetraCal® is a venturi based system with built-in compensation for changes in ambient temperature and pressure. The system is designed to be invisible to the instrument being calibrated, with no moving parts. Three Venturi are available to cover a total flow range from 0.1 to 30 Lpm.

The tetraCal® is the only field calibration device which meets the same temperature criteria as EPA designated samplers. This is a dynamic temperature range from -30° to 55° C and each kit includes software, that allows for data storage and reporting. All tetraCal® systems are built and tested at BGI headquarters which is both a NIST traceable Calibration Laboratory and an ISO 9001:2008 facility.



Applications

- Calibration and audits of speciation samplers to U.S. EPA requirements
- May be used on any sampler in the 0.1 to 30 Lpm range
- Usable in field or laboratory
- Suitable for calibration of cascade impactors

Features

- Simple ON/OFF operation -- all data displayed on screen automatically
- No moving parts
- 20 hour battery life (4-AA)
- Furnished with universal power supply (120/240 VAC)
- Download feature with supplied software

Specifications

Flow Rate Range	0.1-30 LPM (actual volumetric reading)
Temp. operational range	-30° C to 55° C
Temp. reading range	-40° C to 50° C
Baro. pressure range	400 to 800 mm of Hg (U.S. version) 534 to 1066 millibars (Euro version)
Dimensions	
Control Module	3.25 in. high (8.25 cm) X 3.125 in. wide (7.94 cm) X 9 in. long (22.86 cm) Height with venturi and hose adaptor 6.30 in (16.00cm)
Weight with venturi	2.38 lbs (1.08 kg)
Carrying Case	15.75 in. wide (40.00 cm) X 4.5 in. high (11.43 cm) X 12.25 in. thick (31.20 cm)
Weight complete w/contents	4.69 lbs (2.13 kg)

Ordering Information

Part#	Description
TC5	tetraCal [®] , complete in fitted case, std. cond. Temp. at 25° C
TC12	tetraCal [®] /EPA speciation audit model with temperature probe, std. cond. Temp. at 25° C
TCIMP	tetraCal [®] adapters (3) for use with the Improve Sampler
Recalibration	
TC11	Recalibration with NIST Traceability Certificate

